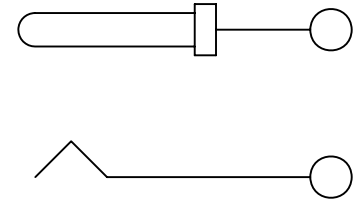
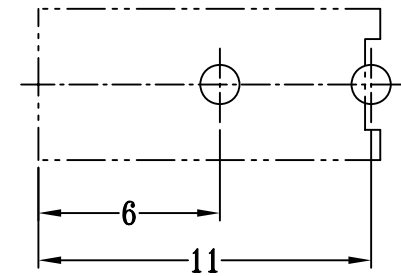
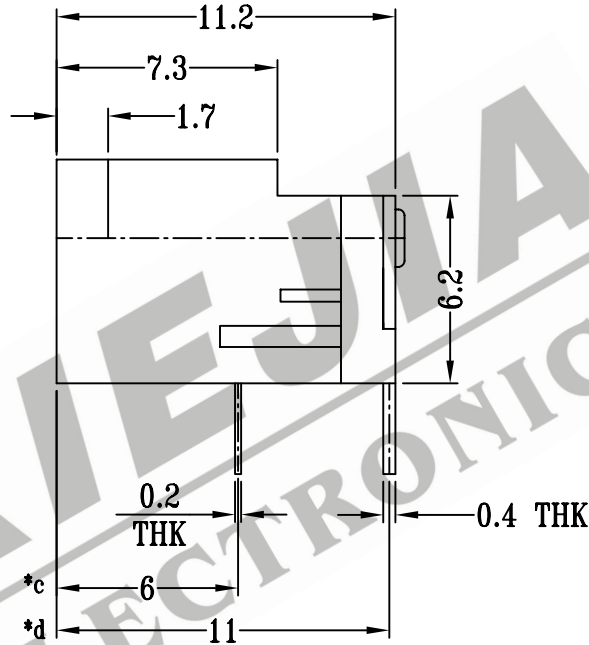
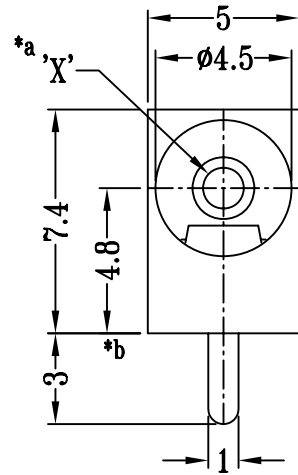


CAD FILE:



SCHMATIC



P.C.B LAYOUT

DIA. OF PIN 'X' J=0.8mm
DIA. OF PIN 'X' D=1.3mm
DIA. OF PIN 'X' E=1.0mm
DIA. OF PIN 'X' F=1.35mm
DIA. OF PIN 'X' H=1.5mm
DIA. OF PIN 'X' Z=1.65mm

注:带"*"表示关键尺寸(4个)

				TOLERANCE UNLESS SPECIFIED	SHENZHEN XIEJIA ELECTRONICS CO.,LTD.				
8									
7									
6									
5	PLUG PIN	BRASS	1	Ni PLATED	WITHIN: 1.5±0.1mm OVER : 1.5±0.2mm	ISSUE	DATE	DESCRIPTIONS OF REVISION	APPD.
4	CONTACT	BRASS STRIP	1	Ag PLATED OVER Ni PLATED	TITLE : DC POWER JACK	UNIT : mm	DRWG NO.: XJ-DR-DS314-00		
3	SPRING TERMINAL	STAINLESS STEEL/PBS STRIP	1	Ag PLATED OVER Ni PLATED			MODEL: DS-314	SCALE: 4:1	DWN.
2	INSERT CASE	POM/PBT+F.G+94V0	1	BLACK/WHITE (NO:12533)	ALL MATERIALS MUST BE COMPLIANT TO ROHS	APPD.	CHK'D	FANGYING	2005-7-26
1	CASE	POM/PBT+F.G+94V0/NYLON+F.G	1	BLACK/WHITE (NO:12533)			KANGXINAN	2005-7-26	
NO.	PARTS	MATERIALS	Q'TY	FINISH					